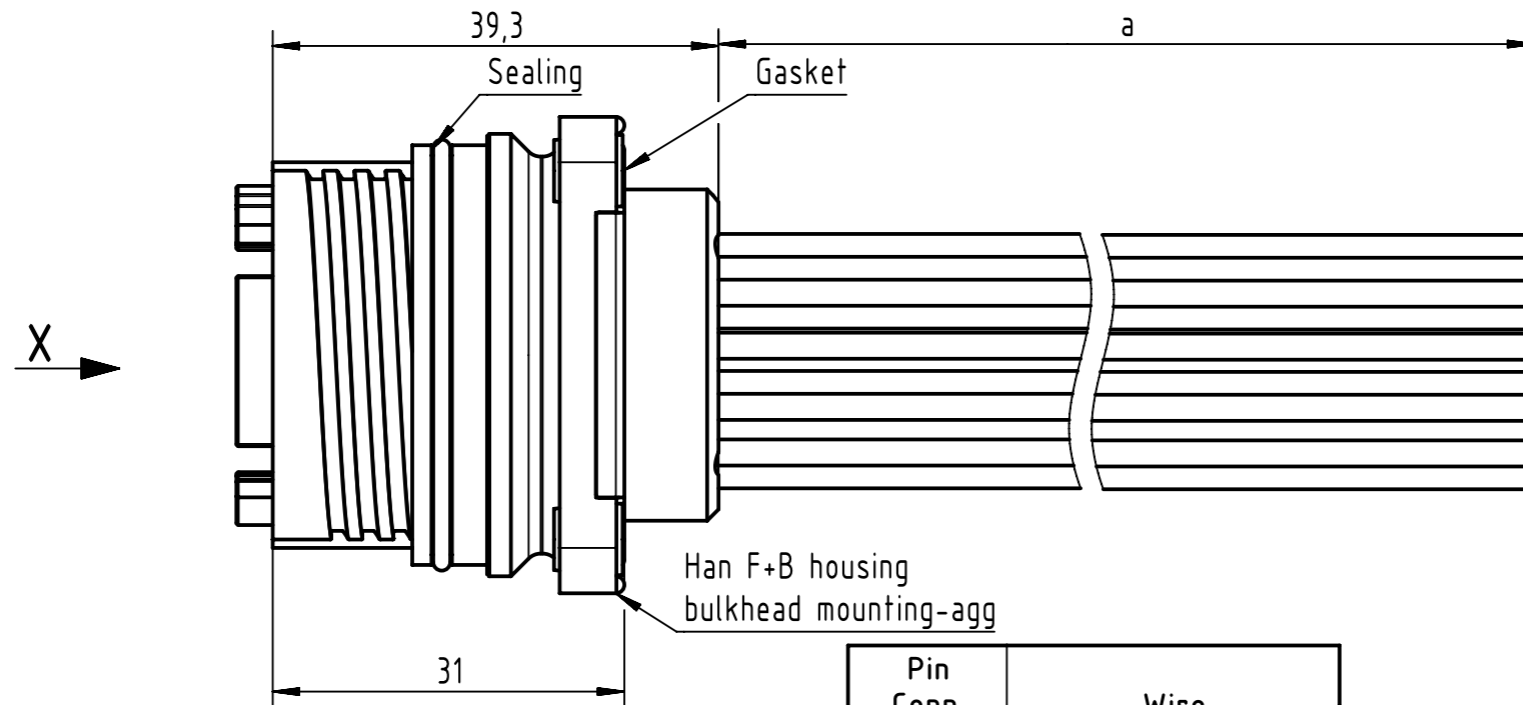
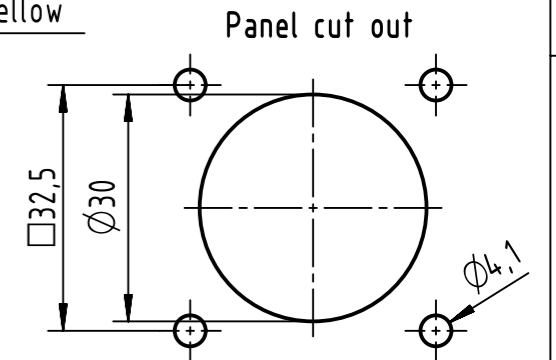


Connector Location A

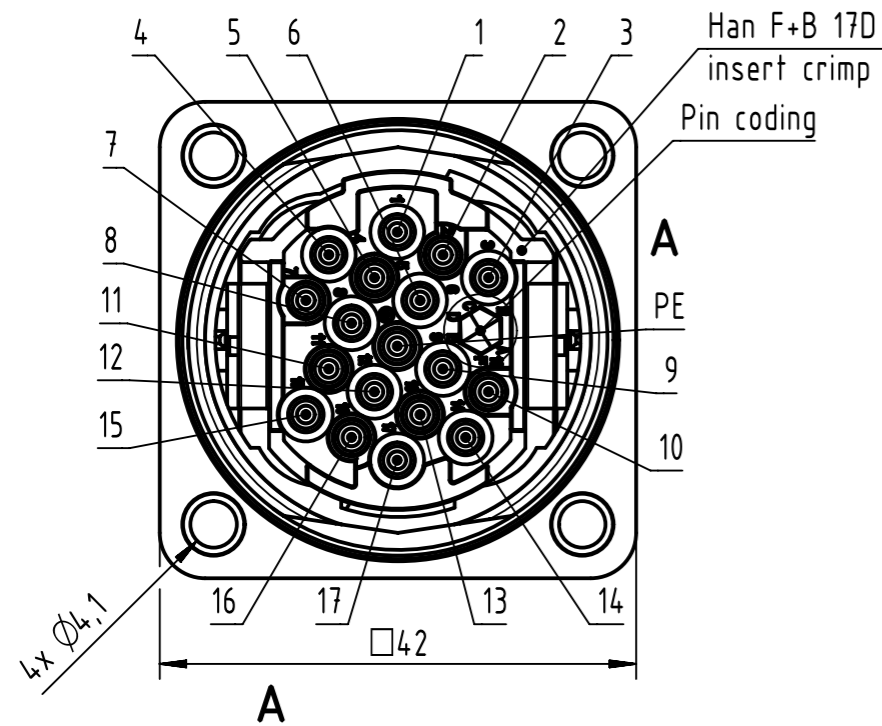
Connector Location B



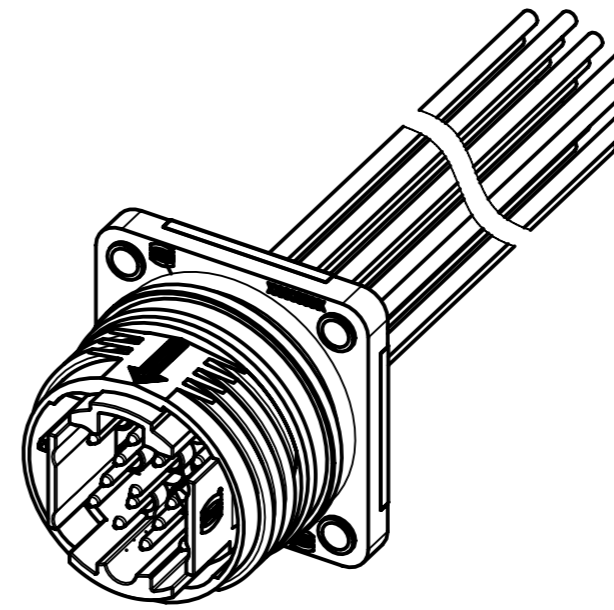
*1 - 17x H05V-K Ring 1x0,5 mm² PVC, black +
1x H05V-K Ring 1x0,5 mm² PVC, green-yellow



X
male



Pin Conn. Loc. A	Wire
1	Black 1
2	Black 2
3	Black 3
4	Black 4
5	Black 5
6	Black 6
7	Black 7
8	Black 8
9	Black 9
10	Black 10
11	Black 11
12	Black 12
13	Black 13
14	Black 14
15	Black 15
16	Black 16
17	Black 17
PE	Green/Yellow



6.0 to 100	±1%
0.6 to 5.9	+0.04
0.2 to 0.5	+0.02
a [m]	Tolerance

length in "1m" step	100	XXX=000
	99	XXX=990
	.	.
length in "0.1m" step	12	XXX=120
	11	XXX=110
	10	XXX=100
length in "0.1m" step	9.9	XXX=099
	9.8	XXX=098
	.	.
length in "0.1m" step	0.5	XXX=005
	0.4	XXX=004
	0.3	XXX=003
	0.2	XXX=002
Step	a [m]	XXX

See note *1

33504300339XXX

Type of cable

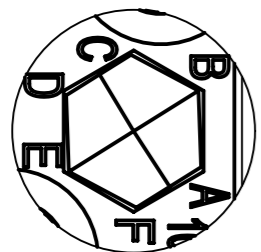
Part no.

NOTE:

* Silver plated contacts

Temperature range:

- Fixed installation: -30°C ... +80°C
- Dynamic installation: -5°C ... +70°C



	All Dimensions in mm	Tech. Character.		Free size tol.		According to production drawing	
	All rights reserved Department HCS - RO	Created by 402676 Gross	Inspected by COSTEA Costea	Standardisation MUNTEANV Muntean	Date 2021-10-22	State Final Release	
HARTING Customised Solutions D-32339 Espelkamp		Title Han F+B 17D PFT 0,5mm ² m/- st/- PVC				Doc-Key / ECM-Nr. 100965575/UGD/000/A 50000204.411	
		Type TB	Number 33504300339XXX			Rev. A	Page 1/1